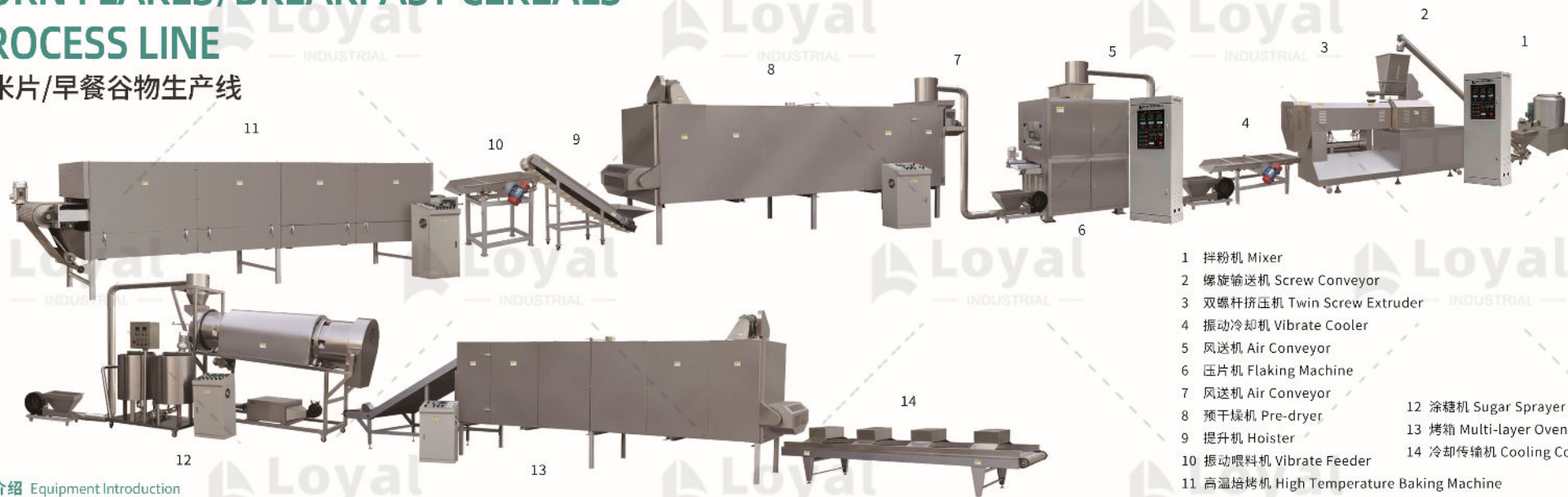


CORN FLAKES/BREAKFAST CEREALS PROCESS LINE

玉米片/早餐谷物生产线



- 1 拌粉机 Mixer
- 2 螺旋输送机 Screw Conveyor
- 3 双螺杆挤压机 Twin Screw Extruder
- 4 振动冷却机 Vibrate Cooler
- 5 风送机 Air Conveyor
- 6 压片机 Flaking Machine
- 7 风送机 Air Conveyor
- 8 预干燥机 Pre-dryer
- 9 提升机 Hoister
- 10 振动喂料机 Vibrate Feeder
- 11 高温焙烤机 High Temperature Baking Machine
- 12 涂糖机 Sugar Sprayer
- 13 烤箱 Multi-layer Oven
- 14 冷却传输机 Cooling Conveyor

设备介绍 Equipment Introduction

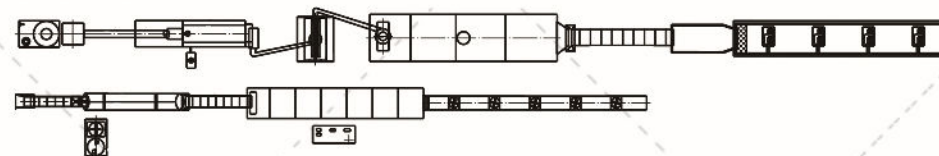
玉米片/早餐谷物是一种具有很高营养价值的早餐食品。它们通常以玉米粉和其他谷物为主要原料，经过混合、挤压、压片、干燥、高温焙烤以及涂糖、冷却后制成酥脆香甜的脆片。玉米片主要是用于早餐拌以牛奶和咖啡食用，也可作为休闲零食。这条生产线还可以生产其他形状的早餐谷物产品，如图圈状、小球、月亮形等。

Corn flakes processing line can produce breakfast cereal which is one kind of nutritional convenient food which is produced by this process line, using grist as basic material, with different shapes, such as, granule, flake, animal, etc. One outstanding characteristic of the breakfast cereal is that it contains abundant compound carbohydrates and dietary fibre, strengthens lots of microelements, such as vitamin and mineral, and also can be added with cocoa and sugar, like honey and maltose. It can be drunk directly after mixed into coffee, milk, yoghourt or functional drink. Children can eat breakfast cereal as sweet crispy snack.

技术参数 Technical Parameter

型号 Model	装机容量 Installed Power	实耗功率 Power Consumption	生产能力 Output	外型尺寸 Size (L*W*H)
LY65 系列生产线 Corn Flakes Process Line	140kw	90kw	120-150kg/h	39000*1200*2200mm
LY70 系列生产线 Corn Flakes Process Line	160kw	120kw	180-220kg/h	41000*1500*2200mm
KING75 系列生产线 Corn Flakes Process Line	190kw	140kw	300-500kg/h	43000* 3500*4300mm
KING95 系列生产线 Corn Flakes Process Line	240kw	190kw	800-1000kg/h	65000* 5000*4300mm

生产线平面图展示 Production Line Floor Plan



设备细节 Device Details

